



revos
Cable glands



Plastic cable gland, metric

Cable gland

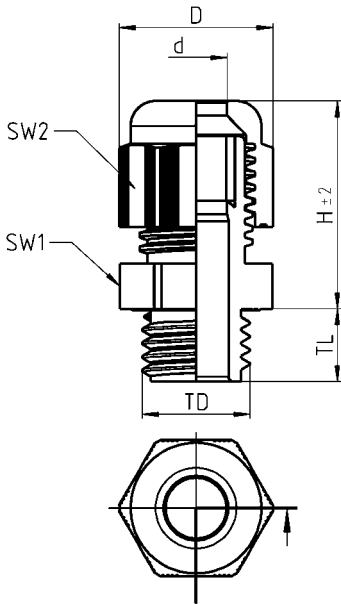


TD Thread	D mm	d mm	H mm	TL mm	SW1 mm	SW2 mm	Part No.	P.U.	VDE	UL/UR	CSA
M12x1.5	16.9	3-6.5	23	8	15	15	Z5.503.0053.0	100	✓	UR	✓
M16x1.5	25	5-10	30	10	22	22	Z5.503.0253.0	50	✓	UR	✓
M20x1.5	27	6-12	30	10	24	24	Z5.503.0453.0	50	✓	UL	✓
M20x1.5	31	10-14	33.5	10	27	27	Z5.503.0553.0	50	✓	UL	✓
M25x1.5	38	13-18	38	10	33	33	Z5.503.0753.0	25	✓	UL	✓
M32x1.5	47.3	18-25	42	15	42	42	Z5.503.0853.0	20	✓	UL	✓
M16x1.5	21.9	2-6	26,5	8	19	19	Z5.503.0153.0	50		UR	✓
M16x1.5	21.9	4-8	26,5	8	19	19	Z5.503.0353.0	50	✓	UR	✓
M25x1.5	32.5	9-13	36	15	29	29	Z5.503.0653.0	50		UL	✓

Technical data

Material	Polyamide
Color	RAL 7035
Seal	Chloroprene
Temperature range	-20 – +100 °C
Degree of protection	IP 66 / IP 68 (5 bar, 30 min.)
Flammability	UL 94 V-2
UV	SERCOV AM RES 107572 acc. to UL51 4B §8.26.7

Dimensions



Key	
D	Outer diameter
d	Cable diameter
H	Height
TL	Thread length
SW1	SW Body
SW2	SW Cap

Plastic cable gland, PG

Cable gland

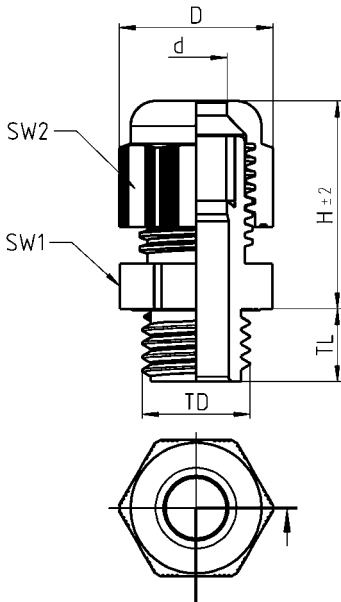


TD Thread	D mm	d mm	H mm	TL mm	SW1 mm	SW2 mm	Part No.	P.U.	UL	UR	CSA
PG7	16.9	3-6.5	22.5	8	15	15	Z5.504.0053.0	100		✓	✓
PG9	21.9	4-8	26.5	8	19	19	Z5.504.0153.0	50		✓	✓
PG11	25	5-10	29	8	22	22	Z5.504.0253.0	50		✓	✓
PG13.5	27	6-12	30	10	24	24	Z5.504.0353.0	50	✓		✓
PG16	30.9	10-14	33	10	27	27	Z5.504.0453.0	50	✓		✓
PG21	38	13-18	38	11	33	33	Z5.504.0553.0	25	✓		✓

Technical data


Material	Polyamide
Color	RAL 7035
Seal	Chloroprene
Temperature range	-40 – +100 °C
Degree of protection	IP 66 / IP 68 (5 bar, 30 min.)
Flammability	UL 94 V-2
UV	SERCOV AM RES 107572 acc. to UL51 4B §8.26.7

Dimensions

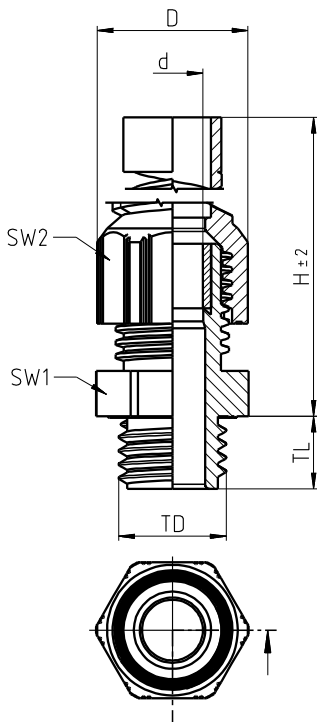


Key	
D	Outer diameter
d	Cable diameter
H	Height
TL	Thread length
SW1	SW Body
SW2	SW Cap

Plastic cable gland, metric

Cable gland		TD	D	d	H	TL	SW1	SW2	Part No.	P.U.	UL	CSA
		Thread	mm	mm	mm	mm	mm	mm				
		M20x1.5	27	5-9	94	10	24	24	Z5.507.0053.3	50	✓	✓
		M25x1.5	38	9-16	117.5	10	33	33	Z5.507.0953.3	25	✓	✓
Technical data												
Material							Polyamide					
Color							RAL 7001					
Seal							Chloroprene					
Temperature range							-20 – +100 °C					
Degree of protection							IP 66 / IP 68 (5 bar, 30 min.)					
Flammability							UL 94 V-2					


Dimensions




Key	
D	Outer diameter
d	Cable diameter
H	Height
TL	Thread length
SW1	SW Body
SW2	SW Cap

Plastic cable gland, snap-In

Cable gland



Removal tool



HD mm	SD mm	SL mm	D mm	d mm	H mm	SW1 mm	SW2 mm	Part No.	P.U.	UR	CSA
16.2-16.4	15.9	9	26.5	5-10	42,5	22	22	Z5.504.4053.3	100	✓	✓
20.2-20.4	19.9	9	30.3	6-12	41,5	24	24	Z5.504.4153.3	50	✓	✓
20.2-20.4	19.9	9	30.3	6-12	41,5	24	24	Z5.504.4153.1	50		

Technical data

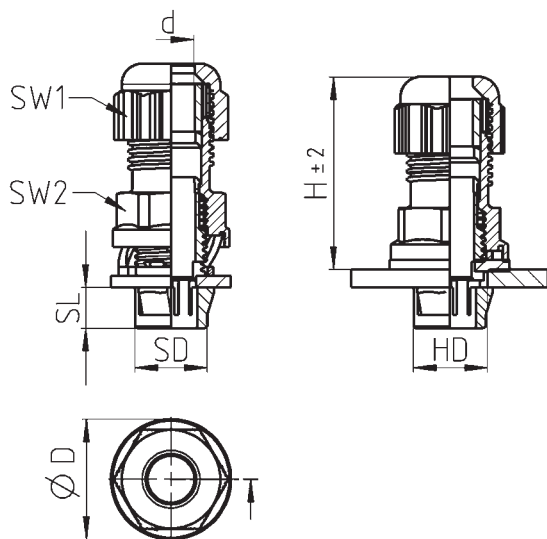
Material	PA
Seal	Chloroprene
Color	RAL ... (.3 = Silver Gray 7001, .1 = Black 9005)
Removal tool color	RAL 7035
Temperature range	-20 – +100 °C
Degree of protection	IP 66 / IP 68 (5 bar, 30 min.)
Flammability	UL 94 V-2

Removal tool

Dimensions	H mm	D mm	Part No.	P.U.
16	13	16	05.504.5053.0	1
20	13	20	05.504.5153.0	1

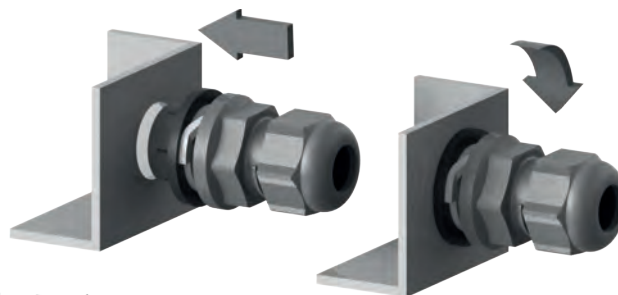
Dimensions

Cable gland

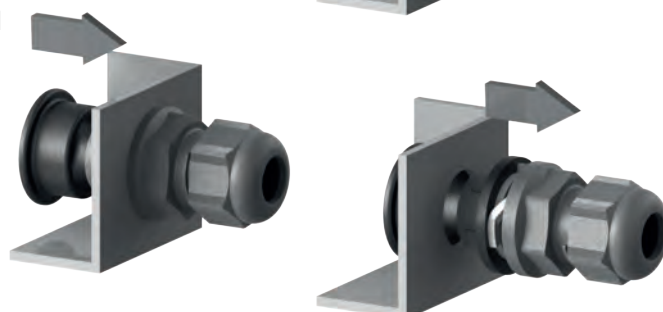


Key	
HD	Bore
SD	Snap diameter
SL	Snap length
D	Outer diameter
d	Cable diameter
H	Height
SW1	SW Body
SW2	SW Cap

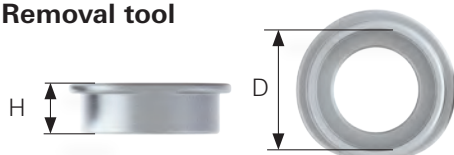
Installation



Removal



Removal tool



Brass cable gland, nickel-plated, metric

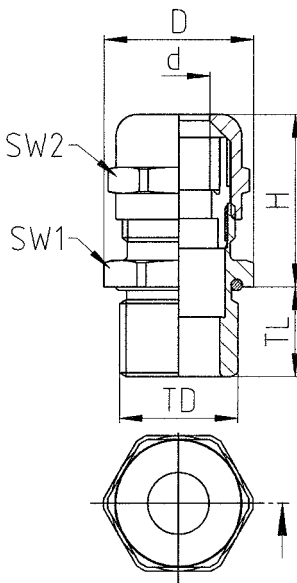
Cable gland



TD Thread	D mm	d mm	H mm	TL mm	SW1 mm	SW2 mm	Part No.	P.U.	VDE	UL/UR	cUL/cUR
M16x1.5	20	4-8	23	7	18	17	Z5.503.2121.0	50	✓	UR	cUR
M25x1.5	29.8	10-14	28	8	27	24	Z5.503.2721.0	25	✓	UL	cUL
M25x1.5	33	13-18	32.5	8	30	30	Z5.503.2921.0	25	✓	UL	cUL
M32x1.5	37.5	13-18	33	9	34	30	Z5.503.3121.0	20	✓	UL	cUL
M63x1.5	83	37-53	51	10	75	75	Z5.503.3921.0	5	✓	UL	cUL
M16x1.5	20	4-8	23	12	18	17	Z5.503.2221.0	50		UR	cUR
M20x1.5	24.5	6-12	24.5	12	22	22	Z5.503.2421.0	50	✓	UL	cUL
M25x1.5	29.8	10-14	28	12	27	24	Z5.503.2821.0	25	✓	UL	cUL
M32x1.5	37.5	13-18	33	15	34	30	Z5.503.3221.0	20	✓	UL	cUL
M40x1.5	48.5	18-25	38.5	15	43	40	Z5.503.3521.0	10	✓	UL	cUL
M12x1.5	15.5	3-6,5	22	12	14	14	Z5.503.4221.0	50	✓	UR	cUR
M16x1.5	22	5-10	28.5	12	20	20	Z5.503.4421.0	50	✓	UR	cUR
M20x1.5	24.5	6-12	26	12	22	22	Z5.503.4621.0	50	✓	UL	cUL
M25x2.5	30	11-17	30.5	12	27	27	Z5.503.4821.0	25	✓	UL	cUL
M32x1.5	37	15-21	36.2	15	34	34	Z5.503.5021.0	20	✓	UL	cUL
M40x1.5	48.4	19-28	43.5	15	43	43	Z5.503.5221.0	10	✓	UL	cUL
M50x1.5	64	27-38	52	15	58	58	Z5.503.5421.0	5	✓	UL	cUL

Technical data	
Material	Brass, nickel-plated
Clamping insert	Polyamide
Seal	Chloroprene
O-ring	NBR
Temperature range	-20 – +100 °C
Degree of protection	IP 66 / IP 68 (5 bar, 30 min.)
Flammability	UL 94 V-2

Dimensions



Key	
D	Outer diameter
d	Cable diameter
H	Height
TL	Thread length
SW1	SW Body
SW2	SW Cap

Brass cable gland, nickel-plated, PG

Cable gland

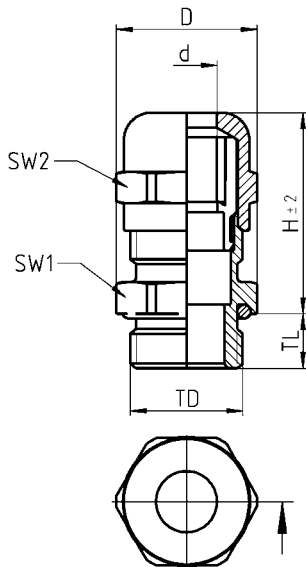


TD Thread	D mm	d mm	H mm	TL mm	SW1 mm	SW2 mm	Part No.	P.U.	UL	UR	cUL/cUR
PG7	15.5	3-6.5	22	6	14	14	Z5.504.2021.0	50		✓	cUR
PG9	18.9	4-8	23.5	6	17	17	Z5.504.2221.0	50		✓	cUR
PG11	22	5-10	26	6	20	20	Z5.504.2421.0	50		✓	cUR
PG13.5	24.5	6-12	24.5	6.5	22	22	Z5.504.2621.0	50	✓		cUL
PG16	26.5	10-14	28	6.5	24	24	Z5.504.2821.0	25	✓		cUL
PG21	33	13-18	32.5	7.2	30	30	Z5.504.3021.0	25	✓		cUL
PG29	44.5	18-25	38.5	8	40	40	Z5.504.3221.0	10	✓		cUL
PG36	55.5	22-32	48	9	50	50	Z5.504.3421.0	5	✓		cUL
PG7	15.5	3-6.5	22	10	14	14	Z5.504.2121.0	50		✓	cUR
PG9	18.9	4-8	23.5	10	17	17	Z5.504.2321.0	50		✓	cUR
PG11	22	5-10	26	10	20	20	Z5.504.2521.0	50		✓	cUR
PG13.5	24.5	6-12	24.5	10	22	22	Z5.504.2721.0	50	✓		cUL
PG16	26.5	10-14	28	10	24	24	Z5.504.2921.0	25	✓		cUL
PG21	33	13-18	32.5	12	30	30	Z5.504.3121.0	25	✓		cUL
PG29	44.5	18-25	38.5	12	40	40	Z5.504.3321.0	10	✓		cUL
PG36	55.5	22-32	48	14	50	50	Z5.504.3521.0	5	✓		cUL

Technical data

Material	Brass, nickel-plated
Clamping insert	Polyamide
Seal	Chloroprene
O-ring	NBR
Temperature range	-20 – +100 °C
Degree of protection	IP 66 / IP 68 (5 bar, 30 min.)
Flammability	UL 94 V-2


Dimensions



Key	
D	Outer diameter
d	Cable diameter
H	Height
TL	Thread length
SW1	SW Body
SW2	SW Cap

Stainless steel cable gland, metric

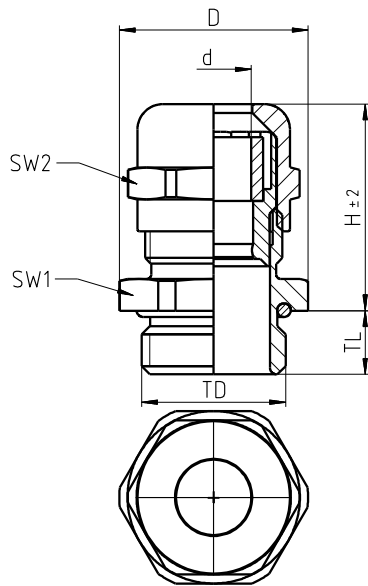
Cable gland



TD Thread	D mm	d mm	H mm	TL mm	SW1 mm	SW2 mm	Part No.	P.U.	VDE	UL/UR	cUL/cUR
M16x1.5	20.8	4-8	23	7	19	17	Z5.503.6119.0	10	✓	UR	cUR
M20x1.5	24.5	6-12	26	8	22	22	Z5.503.6219.0	10			
M25x1.5	29.6	10-14	27.5	8	27	24	Z5.503.6319.0	10	✓	UL	cUL
M32x1.5	39	13-18	32.5	9	36	30	Z5.503.6419.0	10	✓	UL	cUL
M40x1.5	51.4	18-25	40.6	9	46	41	Z5.503.6519.0	10	✓	UL	cUL

Technical data	
Material	Stainless steel 1.4305 (AISI 303)
Clamping insert	Polyamide
Seal	Chloroprene
O-ring	NBR
Temperature range	-20 – +100 °C
Degree of protection	IP 66 / IP 68 (5 bar, 30 min.)
Flammability	UL 94 V-2


Dimensions



Key	
D	Outer diameter
d	Cable diameter
H	Height
TL	Thread length
SW1	SW Body
SW2	SW Cap

Stainless steel cable gland, PG

Cable gland

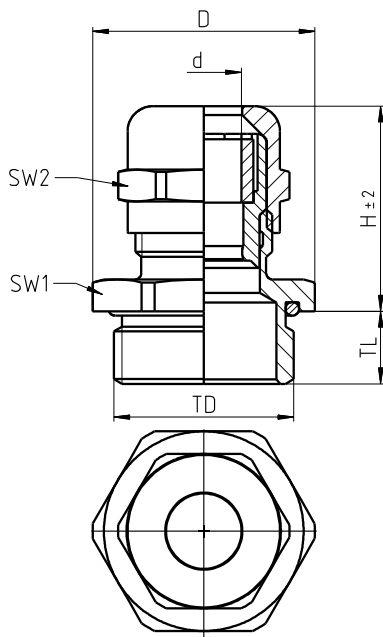


TD Thread	D mm	d mm	H mm	TL mm	SW1 mm	SW2 mm	Part No.	P.U.	UL	UR	cUR
PG7	15.5	3-6.5	22	6	14	14	Z5.504.6019.0	10		✓	✓
PG9	21	4-8	22.7	6	19	17	Z5.504.6119.0	10		✓	✓
PG11	24	5-10	25.5	6	22	22	Z5.504.6219.0	10		✓	✓
PG13.5	24.5	6-12	24	6.5	22	22	Z5.504.6319.0	10	✓		✓
PG16	26.5	10-14	28	6.5	24	24	Z5.504.6419.0	10	✓		✓
PG21	33	13-18	32	7.2	30	30	Z5.504.6519.0	10	✓		✓
PG29	45.5	18-25	37	8	41	41	Z5.504.6619.0	10	✓		✓
PG36	55.5	22-32	47.5	9	50	50	Z5.504.6719.0	10	✓		✓

Technical data

Material	Stainless steel 1.4305 (AISI 303)
Clamping insert	Polyamide
Seal	Chloroprene
O-ring	NBR
Temperature range	-20 – +100 °C
Degree of protection	IP 66 / IP 68 (5 bar, 30 min.)
Flammability	UL 94 V-2

Dimensions



Key	
D	Outer diameter
d	Cable diameter
H	Height
TL	Thread length
SW1	SW Body
SW2	SW Cap

Brass cable gland, nickel-plated, snap-In

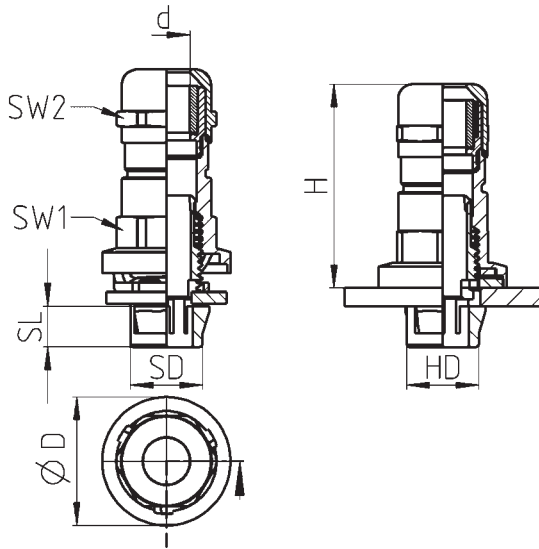
HD mm	SD mm	SL mm	D mm	d mm	H mm	SW1 mm	SW2 mm	Part No.	P.U.
16.2-16.4	16	9	28.3	5-10	45	20	20	Z5.504.5021.0	20
20.2-20.4	20	9	32.3	6-12	44	22	22	Z5.504.5121.0	20

Technical data	
Material	Brass, nickel-plated
Removal tool material	Plastic
Seal	Chloroprene
Removal tool color	RAL 7035
Temperature range	-20 – +100 °C
Degree of protection	IP 66 / IP 68 (5 bar, 30 min.)
Flammability	UL 94 V-2

Removal tool				
Dimensions	H mm	D mm	Part No.	P.U.
16	13	16	05.504.5053.0	1
20	13	20	05.504.5153.0	1

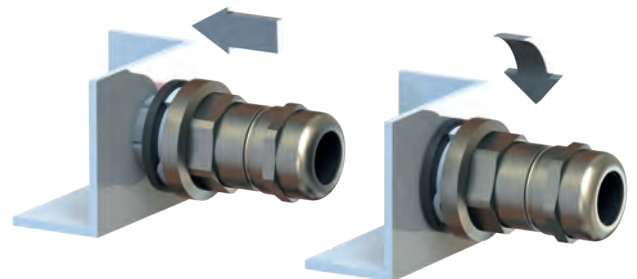
Dimensions

Cable gland

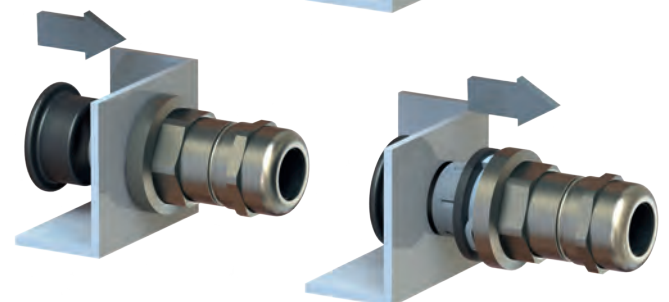


Key	
HD	Bore
SD	Snap diameter
SL	Snap length
D	Outer diameter
d	Cable diameter
H	Height
SW1	SW Body
SW2	SW Cap

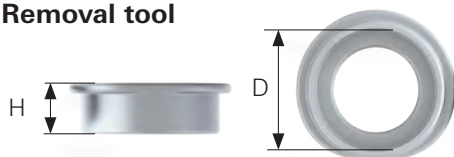
Installation



Removal



Removal tool



Brass cable glands, nickel-plated, metric

Cable gland, IP54, with strain relief



Name	Type				Part No.	P.U.
Cable gland metal						
	Cable Ø [mm]	L [mm]	l [mm]	SW [mm]		
M20x1.5	6.5 – 11.5	25	6	24	Z5.507.5821.0	1
M25x1.5	9 – 20	29	7	34	Z5.507.6021.0	1
M32x1.5	17 – 28	32	8	42	Z5.507.6221.0	1
M40x1.5	23 – 35	40	8	52	Z5.507.6421.0	1
Technical data						
Material	Brass, nickel-plated					
Color	-					
Degree of protection	IP54					
Flammability	-					

Bushing, IP54



Name	Type				Part No.	P.U.
Bushing metal						
	Cable Ø [mm]	L [mm]	l [mm]	SW [mm]		
M16x1.5	3 – 9	15	5	16	Z5.507.2121.0	1
M20x1.5	4 – 13	17.5	6	20	Z5.507.2221.0	1
M25x1.5	8.5 – 17.5	20	7	25	Z5.507.2321.0	1
M32x1.5	16 – 25	23	8	32	Z5.507.2421.0	1
Technical data						
Material	Brass, nickel-plated					
Color	-					
Degree of protection	IP54					
Flammability	-					

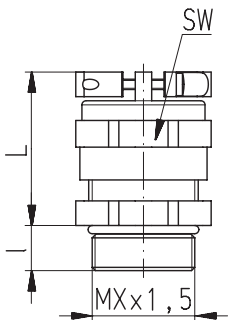
Strain relief, IP54



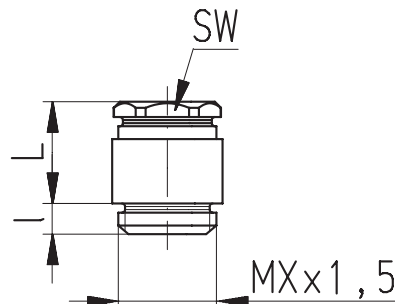
Name	Type				Part No.	P.U.
Cable gland metal						
	Cable Ø [mm]	L [mm]	l [mm]	SW [mm]		
M16x1.5	4 – 9	29	5	18	Z5.507.9521.0	10
M20x1.5	6.5 – 13.5	33	6	22	Z5.507.9621.0	10
M25x1.5	9 – 20	38	7	30	Z5.507.9721.0	10
M32x1.5	17 – 26	43	8	36	Z5.507.9821.0	10
Technical data						
Material	Brass, nickel-plated					
Color	-					
Degree of protection	IP54					
Flammability	-					

Dimensions

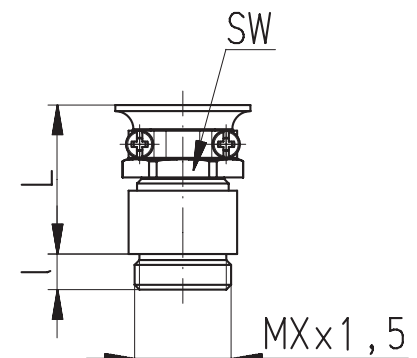
Cable gland, IP54, with strain relief, metal



Cable gland, IP54, metal




Strain relief, IP54, metal



EMC brass cable gland, nickel-plated, metric

Cable gland

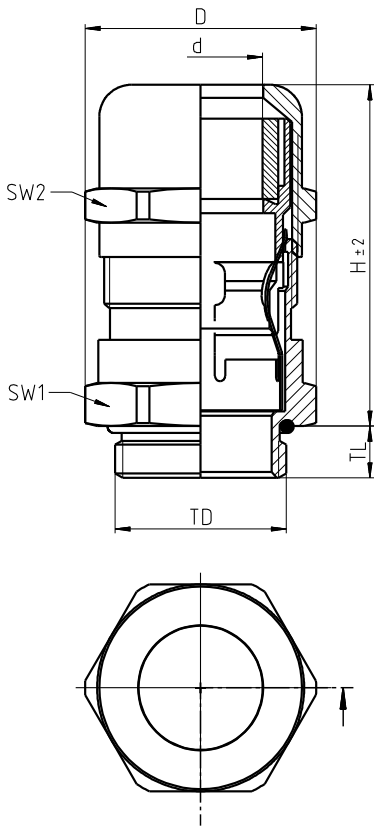


TD Thread	D mm	d mm	ShieldØ mm	H mm	TL mm	SW1 mm	SW2 mm	Part No.	P.U.	VDE	UL	cUL
M20x1.5	26.8	7.5-14	5.5-11.5	39.6	8	24	24	Z5.503.7221.0	10	✓	✓	✓
M25x1.5	33	10-18	7-14	43	8	30	30	Z5.503.7321.0	10	✓	✓	✓
M32x1.5	43.5	16-25	12-20	53	9	40	40	Z5.503.7421.0	10	✓	✓	✓
M40x1.5	55.5	22-32	18-27	60.5	9	50	50	Z5.503.7521.0	10	✓	✓	✓

Technical data

Material	Brass, nickel-plated
Clamping insert	Polyamide
Seal	Chloroprene
O-ring	NBR
Temperature range	-20 – +100 °C
Degree of protection	IP 66 / IP 68 (5 bar, 30 min.)
Flammability	UL 94 V-2

Dimensions



Key	
D	Outer diameter
d	Cable diameter
TD	Thread diameter
H	Height max.
TL	Thread length
SW1	SW Body
SW2	SW Cap

EMC brass cable gland, nickel-plated, PG

Cable gland

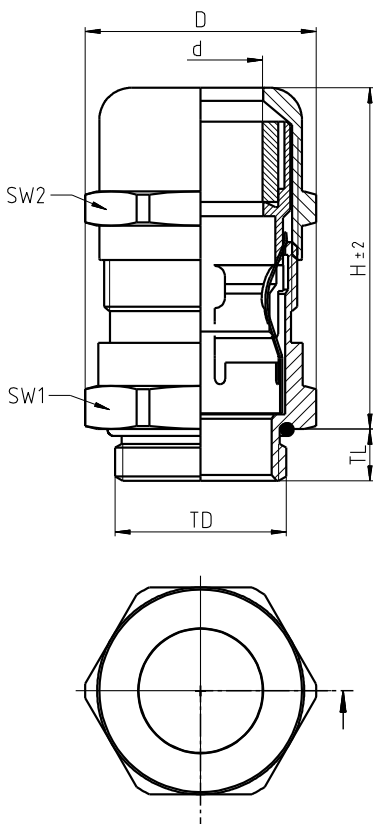


TD Thread	D mm	d mm	ShieldØ mm	H mm	TL mm	SW1 mm	SW2 mm	Part No.	P.U.
PG16	27.5	7.5-14	5.5-11.5	39.5	6.5	24	25	Z5.504.7421.0	10
PG21	35.5	10-18	7-14	42.5	7	32	30	Z5.504.7521.0	10
PG29	43.5	16-25	12-20	52.5	9	40	40	Z5.504.7621.0	10

Technical data

Material	Brass, nickel-plated
Clamping insert	Polyamide
Seal	Chloroprene
O-ring	NBR
Temperature range	-20 – +100 °C
Degree of protection	IP 66 / IP 68 (5 bar, 30 min.)
Flammability	UL 94 V-2

Dimensions

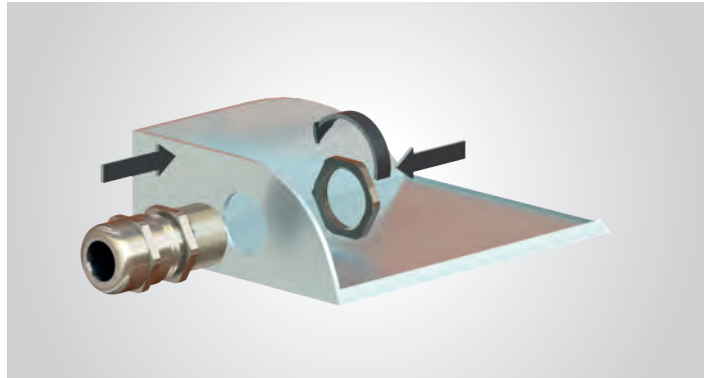


Key

D	Outer diameter
d	Cable diameter
TD	Thread diameter
H	Height max.
TL	Thread length
SW1	SW Body
SW2	SW Cap

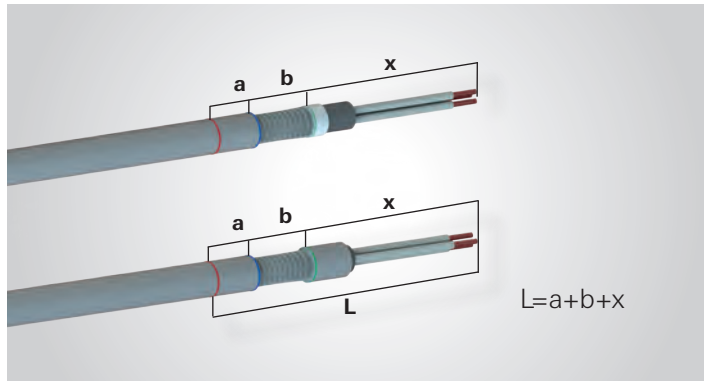
Assembly instructions for EMC cable gland

- ① Fasten EMC cable gland on the housing to the specified torque.



- ② Cable preparation

- a) Mark dimension "L" on the cable sheath.
- b) Carefully remove outer cable sheath "b+x" using a suitable cable stripper. Do not damage braid.
- c) Protect braid with insulating tape or a piece of cable sheath at the end.



For dimension a and b see table below.

Key:

- a = outer screen length (for dimension a see table)
- b = stripped shield length (for dimension b see table)
- x = Length in the housing (dimension x is dependent on the housing used)

Metric cable glands

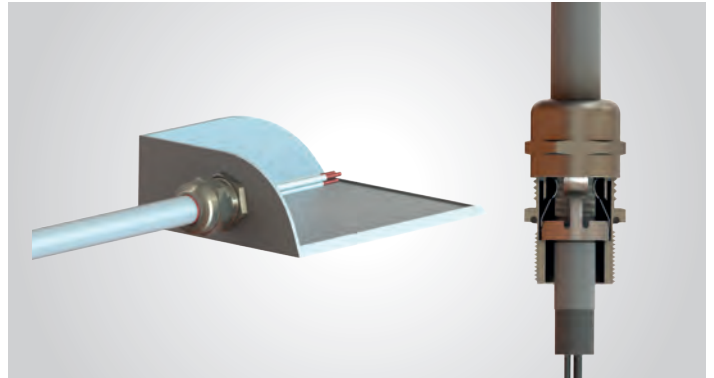
Item number	Thread size	Outer sheath length marking a (mm)	Stripped shield length b (mm)	Tightening torque cable screw gland thread (Nm)	Tightening torque cable screw cap thread (Nm)
Z5.503.7221.0	M20x1.5	15	19	10 ±1	10 ±1
Z5.503.7321.0	M25x1.5	19	20	15 ±1	15 ±1
Z5.503.7421.0	M32x1.5	21	26	22 ±1	22 ±1
Z5.503.7521.0	M40x1.5	26	28	42 ±1	42 ±1

PG cable glands

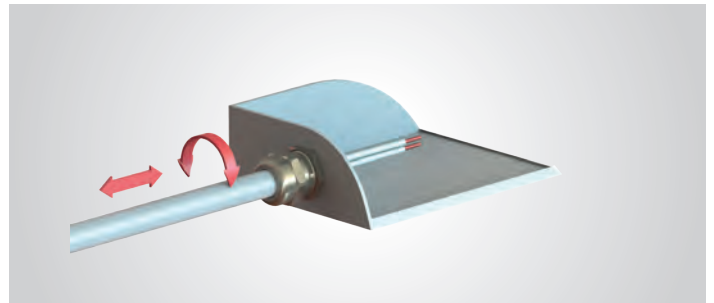
Item number	Thread size	Outer sheath length marking a (mm)	Stripped shield length b (mm)	Tightening torque cable screw gland thread (Nm)	Tightening torque cable screw cap thread (Nm)
Z5.504.7421.0	PG 16	15	19	10 ±1	10 ±1
Z5.504.7521.0	PG 21	19	20	15 ±1	15 ±1
Z5.504.7621.0	PG 29	21	26	22 ±1	22 ±1

Assembly instructions for EMC cable gland

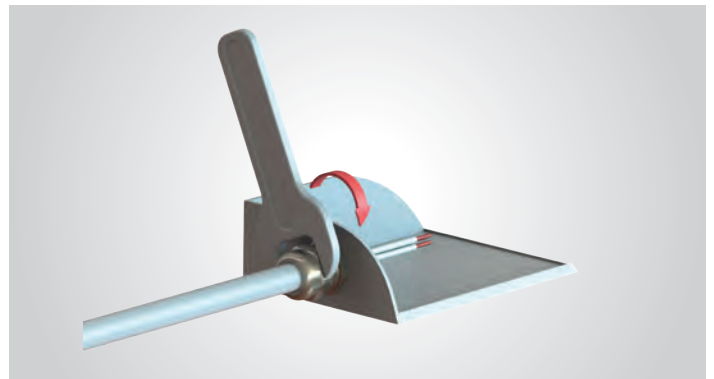
- ③ Insert cable into the gland until the "L" mark is at the height of the cap nut. The cable shield must now be connected to the EMC spring of the screw gland.



- ④ The cable can still be positioned as long as the cap nut is not tightened to the specified torque.

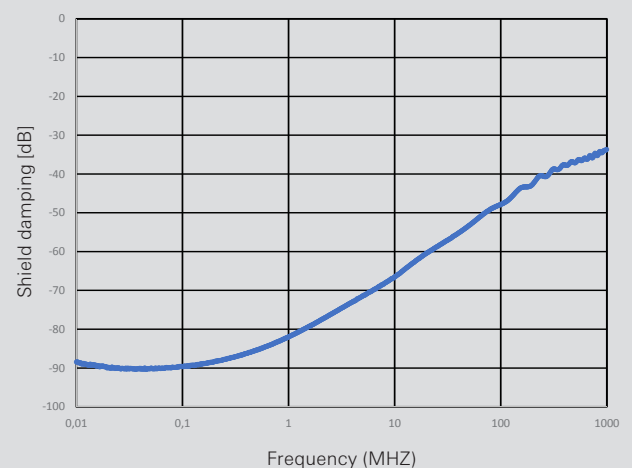


- ⑤ Tighten the cap nut to the specified torque (see table).




- ⑥ EMC test results:
Shield damping

Reference:
75.503.7221.0 / M20x1.5

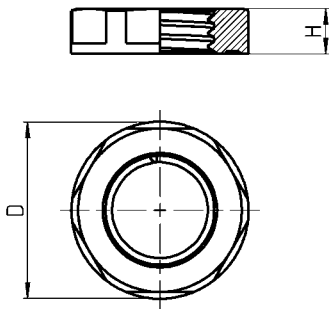


1) The measurements have been taken by the VDE Test and Certification Institute according to the triaxial method.

Accessories Flange nut, plastic in metric


Flange nut		Thread	D mm	H mm	SW1 mm	Part No.	P.U.			
		M12x1.5	19.5	5	18	05.506.5053.0	100			
		M16x1.5	24.2	5	22	05.506.5153.0	50			
		M20x1.5	28.6	6	26	05.506.5253.0	50			
		M25x1.5	35	6	32	05.506.5353.0	50			
		M32x1.5	46.1	7	41	05.506.5453.0	25			
		M40x1.5	55.3	7	50	05.506.5553.0	10			
		M50x1.5	66.1	8	60	05.506.5653.0	10			
		M63x1.5	82.5	8	75	05.506.5753.0	10			
		Technical data								
		Material			Polyamide					
		Color			RAL 7035					
		Temperature range			-20 – +100 °C					
		Flammability			UL 94 HB					


Dimensions




Key	
D	Outer diameter
H	Height
SW1	Wrench size

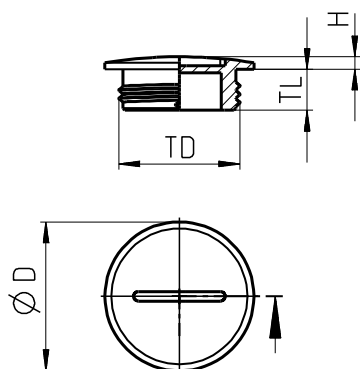
Accessories Screw plug

Screw plug, metric, plastic		Thread	TD mm	TL mm	H mm	D mm	Part No.	P.U.			
		M16x1.5	16	7	4,5	20	05.506.7153.0	100			
		M20x1.5	20	7	5,5	24	05.506.7253.0	50			
		M25x1.5	25	10	5	30	05.506.7353.0	25			
		Technical data									
		Material					Polyamide				
		Color					RAL 7035				
		Temperature range					-20 – +100 °C				
		Flammability					UL 94 V-2				

Screw plug, PG, plastic		Thread	TD mm	TL mm	H mm	D mm	Part No.	P.U.			
		PG7	12.5	6	2	15	05.506.6053.0	100			
		PG9	15.2	6	2.5	19	05.506.6153.0	100			
		PG11	18.6	6	2.5	22	05.506.6253.0	50			
		PG13.5	20.4	6	2.5	25	05.506.6353.0	50			
		PG16	22.5	6	2.5	27	05.506.6453.0	50			
		PG21	28.3	8	4	33	05.506.6553.0	25			
		Technical data									
		Material					Polyamide				
		Color					RAL 7035				
		Temperature range					-20 – +100 °C				
		Flammability					UL 94 V-2				


Screw plug with O-ring, metric, brass		Thread	TD mm	TL mm	H mm	D mm	Part No.	P.U.			
		M20x1.5	16	6-6.5	3.5-4	22-24	05.507.4021.0	10			
		M25x1.5	20	7	4-6	28-30	05.507.4121.0	1			
		M32x1.5	25	8	4-5.5	35-39	05.507.4221.0	1			
		Technical data									
		Material					Brass, nickel-plated				
		Color					Metallic				
		Temperature range					IP68				
		Flammability					-				


Dimensions





Key	
TD	Thread diameter
TL	Thread length
H	Height
D	Outer diameter

Accessories Reducer, expander, adapter

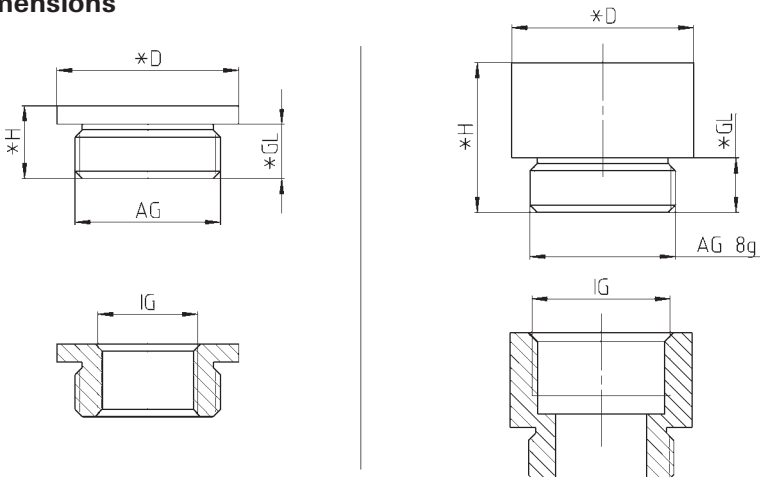
Reducer	Name	Type	Part No.	P.U.			
	Reducer						
	Outer thread [AG]	Inner thread [IT]	D [mm]	H [mm]	GL [mm]		
	M20x1.5	M16x1.5	22	9	6	05.507.9021.0	1
	M25x1.5	M20x1.5	27	10	7	05.507.9121.0	1
	M32x1.5	M25x1.5	34	11	8	05.507.9221.0	1
M40x1.5	M32x1.5	43	11.6	8	05.507.9321.0	1	
Technical data							
Material	Brass, nickel-plated						
Color	-						
Degree of protection	-						
Flammability	-						

Expander	Name	Type	Part No.	P.U.			
	Expander						
	Outer thread [AG]	Inner thread [IT]	D [mm]	H [mm]	GL [mm]		
	M16x1.5	M20x1.5	22	17.5	5	05.507.8621.0	1
	M20x1.5	M25x1.5	27	20	6	05.507.8721.0	1
	M25x1.5	M32x1.5	34	22.5	7	05.507.8821.0	1
M32x1.5	M40x1.5	42	24.5	8	05.507.8921.0	1	
Technical data							
Material	Brass, nickel-plated						
Color	-						
Degree of protection	-						
Flammability	-						

PG to metric adapter	Name	Type	Part No.	P.U.			
	PG adapter						
	Outer thread [AG]	Inner thread [IT]	D [mm]	H [mm]	GL [mm]		
	PG 13.5	M20x1.5	22	19	6.5	05.507.7621.0	1
	PG 16	M20x1.5	24	9.5	6.5	05.507.7721.0	1
PG 21	M25x1.5	30	10	7	05.507.7821.0	1	
Technical data							
Material	Brass, nickel-plated						
Color	-						
Degree of protection	-						
Flammability	-						

Metric to PG adapter	Name	Type	Part No.	P.U.			
	Metric adapter						
	Outer thread [AG]	Inner thread [IT]	D [mm]	H [mm]	GL [mm]		
	M20x1.5	PG 13.5	22	19	6.5	05.507.8121.0	1
	M20x1.5	PG 16	24	19	6.5	05.507.8221.0	1
	M25x1.5	PG 21	30	21	6.5	05.507.8321.0	1
M32x1.5	PG 29	39	23	7	05.507.8421.0	1	
Technical data							
Material	Brass, nickel-plated						
Color	-						
Degree of protection	-						
Flammability	-						

Dimensions



Key	
AG	Outer thread
IG	Inner thread
D	Outside diameter
H	Height
GL	Thread length

Accessories Multi-hole seal

Multi-hole seal replaces standard seal



Replaces clamping range mm	Number of hole per sealing x diameter in mm	H mm	D mm	Part No.	P.U.
6-12	2x5	8.4	16	05.512.4083.0	50
6-12	2x6	8.4	16	05.512.4183.0	50
6-12	3x5	8.4	16	05.512.4583.0	50
10-14	3x6	9.3	18	05.512.4683.0	50
13-18	3x8	12.2	22.9	05.512.4883.0	50
13-18	4x7	12.2	22.9	05.512.5083.0 *	50
11-17	6x4	10.7	20.4	05.512.5583.0	50
18-25	2x8	14	30.4	05.512.4383.0	50
15-21	9x4	14.2	25.4	05.512.5883.0	50

Technical data

Material	Chloroprene
Color	RAL 9005
Temperature range	-20 – +100 °C

* The multi-hole seal with the part number 05.512.5083.0 is sealed with a membrane and can be used as dust or water protection even without cables.

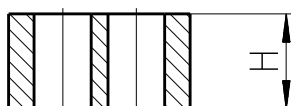
Assignment of multiple seal to cable screw gland

The multi-hole seal enables the insertion of several conductors into a screw gland and is sold separately.

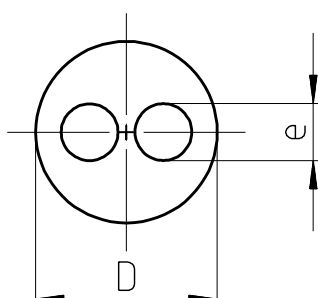
The multi-hole seal can be used in the following screw glands:

Clamping range in mm					
6-12	10-14	11-17	13-18	15-21	18-25
Multiple seal					
05.512.4083.0	05.512.4683.0	05.512.5583.0	05.512.4883.0	05.512.5883.0	05.512.4383.0
05.512.4183.0			05.512.5083.0		
05.512.4583.0					
Cable gland					
Z5.503.0453.0	Z5.503.0553.0	Z5.503.4821.0	Z5.503.0753.0	Z5.503.5021.0	Z5.503.0853.0
Z5.503.2421.0	Z5.503.2721.0		Z5.503.3121.0		Z5.503.3521.0
Z5.503.4621.0	Z5.503.2821.0		Z5.503.2921.0		Z5.503.6519.0
Z5.503.6219.0	Z5.503.6319.0		Z5.503.3221.0		Z5.504.3221.0
Z5.504.0353.0	Z5.504.0453.0		Z5.503.6419.0		Z5.504.3321.0
Z5.504.2621.0	Z5.504.2821.0		Z5.504.0553.0		Z5.504.6619.0
Z5.504.2721.0	Z5.504.2921.0		Z5.504.3021.0		
Z5.504.6319.0	Z5.504.6419.0		Z5.504.3121.0		
Z5.504.4153.1			Z5.504.6519.0		
Z5.504.4153.3					
Z5.504.5121.0					

Dimensions



Key	
e	Diameter of the bores
H	Height
D	Outer diameter





USA & CANADA
Wieland Electric Inc.
North American Headquarters
2889 Brighton Road
Oakville, Ontario L6H 6C9
Phone +1 905 829-8414
Fax +1 905 829-8413
sales@wielandinc.com
www.wielandinc.com
www.wieland-electric.ca



GREAT BRITAIN
Wieland Electric Ltd.
Riverside Business Centre,
Walnut Tree Close
GB Guildford/Surrey GU1 4UG
Phone +44 1483 531213
Fax +44 1483 505029
sales.uk@wieland-electric.com
www.wieland.co.uk



ITALY
Wieland Electric S.r.l.
Via Edison, 209
I-20019 Settimo Milanese
Phone +39 02 48 916357
Fax +39 02 48 920685
info.italy@wieland-electric.com
www.wieland-electric.it



FRANCE
Wieland Electric SARL.
Le Cérame, Hall 6
47, avenue des Genottes
CS 48313,
95803 Cergy-Pontoise Cedex
Phone +33 1 30320707
Fax +33 1 30320717
info.france@wieland-electric.com
www.wieland-electric.fr



SPAIN
Wieland Electric S.L.
C/ Maria Auxiliadora 2, bajos
E-08017 Barcelona
Phone +34 93 2523820
Fax +34 93 2523825
ventas@wieland-electric.com
www.wieland-electric.es



SWITZERLAND
Wieland Electric AG
Harzachstrasse 2b
CH-8404 Winterthur
Phone +41 52 2352100
Fax +41 52 2352119
info.swiss@wieland-electric.com
www.wieland-electric.ch



BELGIUM & GD LUXEMBOURG
ATEM-Wieland Electric NV
Bedrijvenpark De Veert 4
B-2830 Willebroek
Phone +32 3 8661800
Fax +32 3 8661828
info.belgium@wieland-electric.com
www.wieland-electric.be



DENMARK
Wieland Electric A/S
Vallørækken 26
DK-4600 Køge
Phone +45 70 266635
Fax +45 70 266637
sales.denmark@wieland-electric.com
www.wieland-electric.dk



SWEDEN
Wieland Electric AB
Krossverksgatan 9B
216 16 Limhamn
Phone +46 40 652 90 00
sales.sweden@wieland-electric.com
www.wieland-electric.se



POLAND
Wieland Electric Sp. z o.o.
Św. Antoniego 8
62-080 Swadzim
Phone +48 61 2225400
office@wieland-electric.pl
www.wieland-electric.pl



CHINA
Wieland Electric Trading
Unit 2703 International Soho City
885 Renmin Road,
Huangpu District
PRC- Shanghai 200010
Phone +86 21 63555772
Fax +86 21 63550090
info-shanghai@wieland-electric.com
www.wieland-electric.cn



JAPAN
Wieland Electric Co, Ltd.
Nisso No. 16 Bldg. 7F
3-8-8 Shin-Yokohama,
Kohoku-ku
Yokohama 222-0033
Phone +81 45 473 5085
Fax +81 45 470 5408
info-japan@wieland-electric.com



GERMANY
Headquarters
Wieland Electric GmbH
Brennerstraße 10 – 14
96052 Bamberg, Germany
Phone +49 951 9324-0
Fax +49 951 9324-198
info@wieland-electric.com
www.wieland-electric.de

Sales Partner:
You can reach us worldwide in more than 70 countries.
Find the contact adress at: www.wieland-electric.com

Subject to technical modifications!
gesis®, **RST**®, **GST**®, **GST18**®, **podis**®, **samos**®, **saris**® and **wiecon**® are registered trademarks of Wieland Electric GmbH

**contacts
are
green.**